

2.SPECIFICATION

2.1 Performance data of Swimming Pool Heat Pump Unit

*** REFRIGERANT : R32

UNIT		P12/32	P14/32
Part nr.		7024526	7024527
Heating capacity (A27/W26)	kW	11.5	13.5
	Btu/h	39000	45900
Heating Power Input	kW	1.95	2.35
COP		5.90	5.74
Heating capacity (A15/W26)	kW	7.8	9.8
	Btu/h	27200	33320
Heating Power Input	kW	1.7	2.17
COP		4.59	4.52
Power Supply		220-240V ~ /50Hz	220-240V ~ /50Hz
Compressor Quantity		1	1
Compressor		rotary	rotary
Fan Number		1	1
Fan Power Input	W	90	120
Fan Rotate Speed	RPM	850	850
Fan Direction		horizontal	horizontal
Noise	dB(A)	54	54
Water Connection	mm	50	50
Water Flow Volume	m ³ /h	4.5	5.3
Water Pressure Drop(max)	kPa	3.5	10
Unit Net Dimensions(L/W/H)	mm	See the drawing of the units	
Unit Ship Dimensions(L/W/H)	mm	See package lable	
Net Weight	kg	see nameplate	
Shipping Weight	kg	see package label	

Heating: Outdoor air temp: 27°C/24.3°C, Inlet water temp:26°C

Outdoor air temp: 15°C/12°C, Inlet water temp:26°C

Operating range:

Ambient temperature:-7—43°C

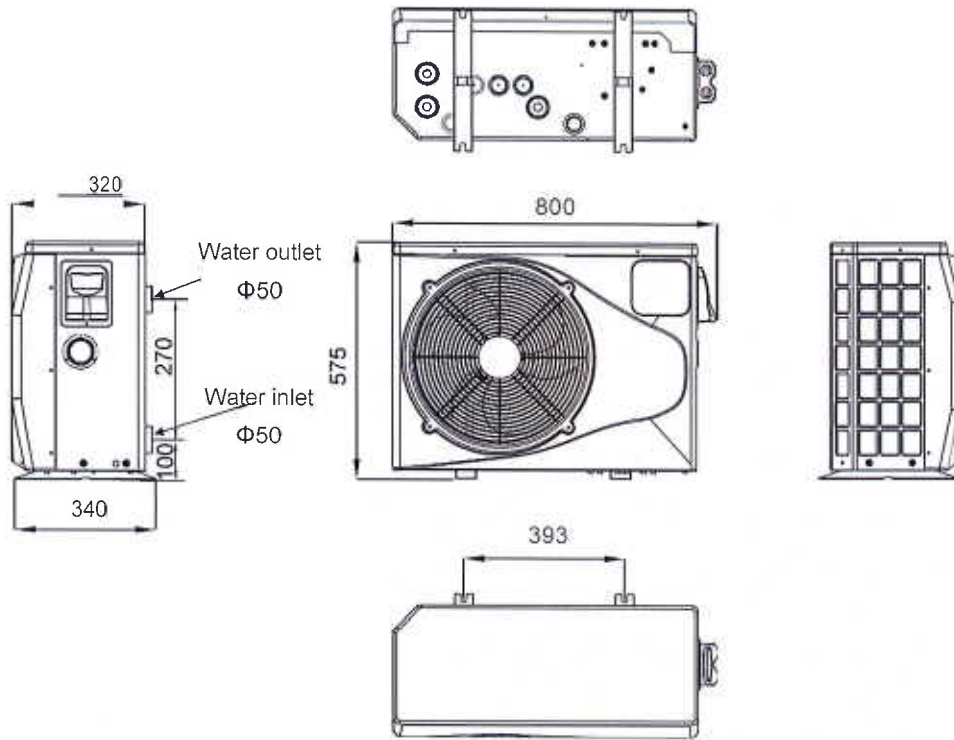
Water temperature:9-40°C

2.SPECIFICATION

2.2 The dimensions for Swimming Pool Heat Pump Unit

UNIT: P6/32

unit : mm



UNIT: P8/32/P12/32

unit : mm

